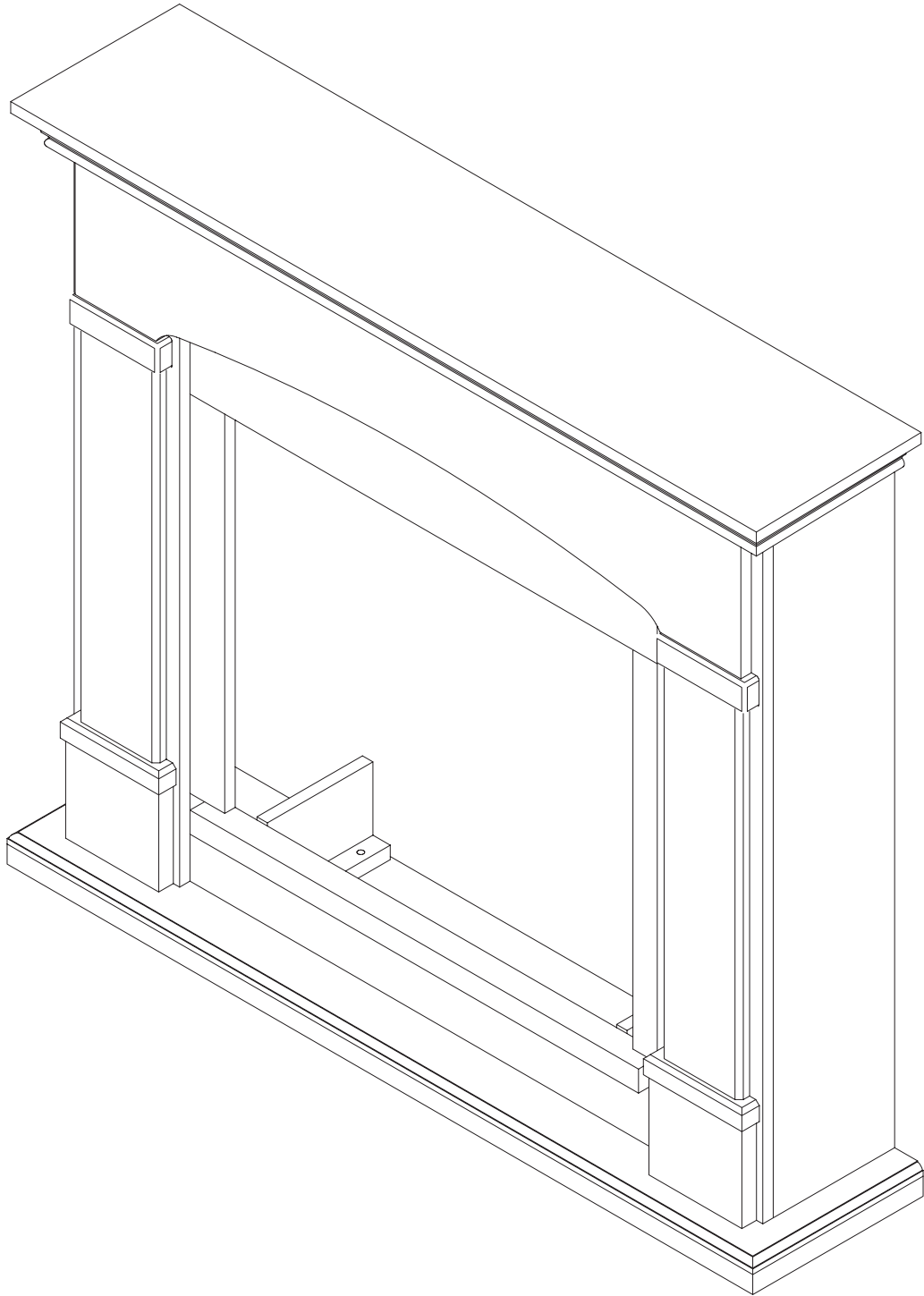
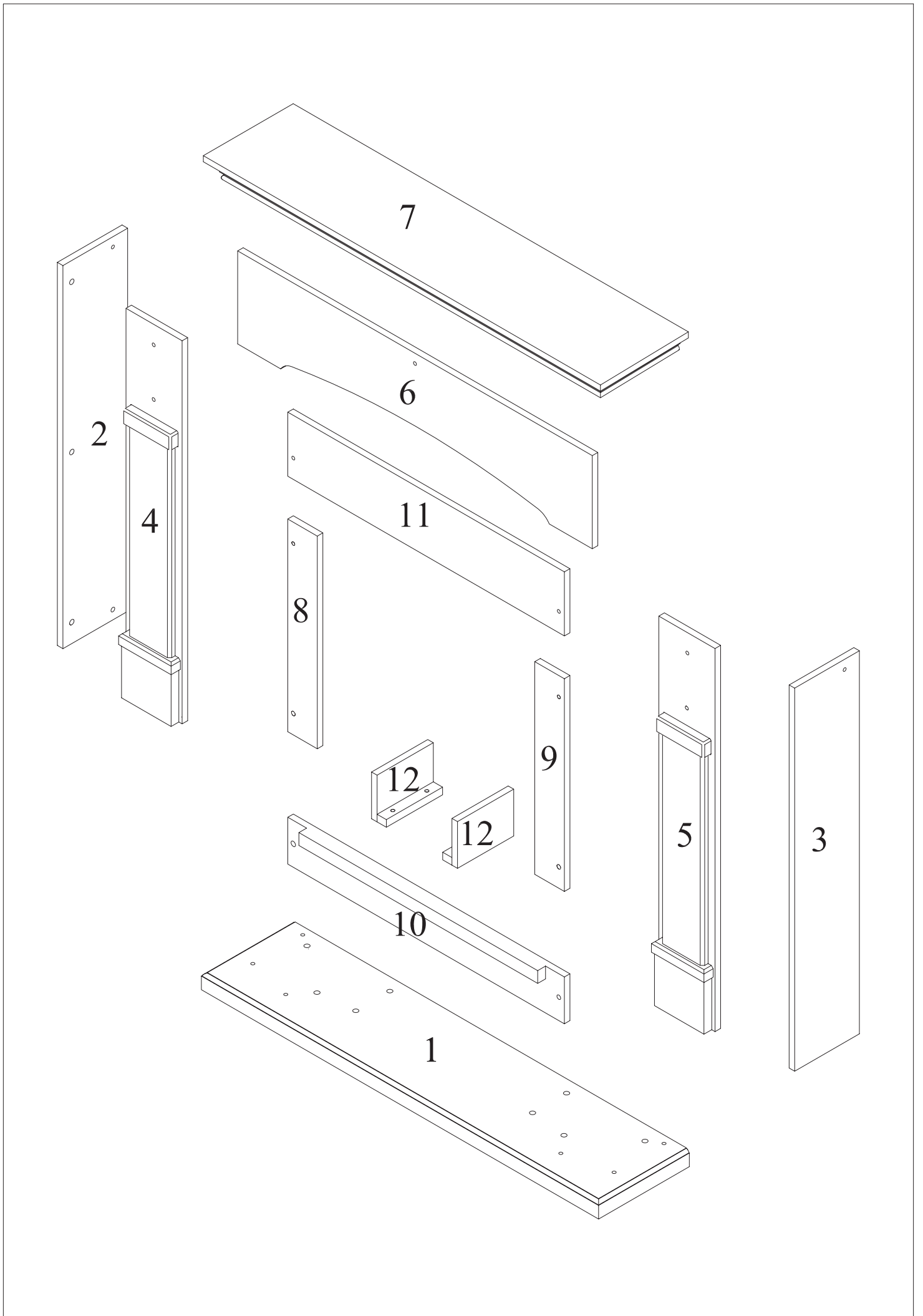
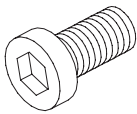
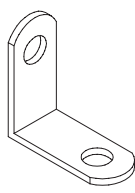
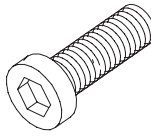
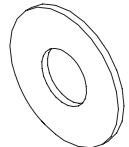
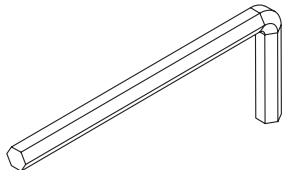
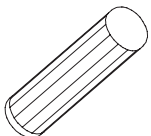


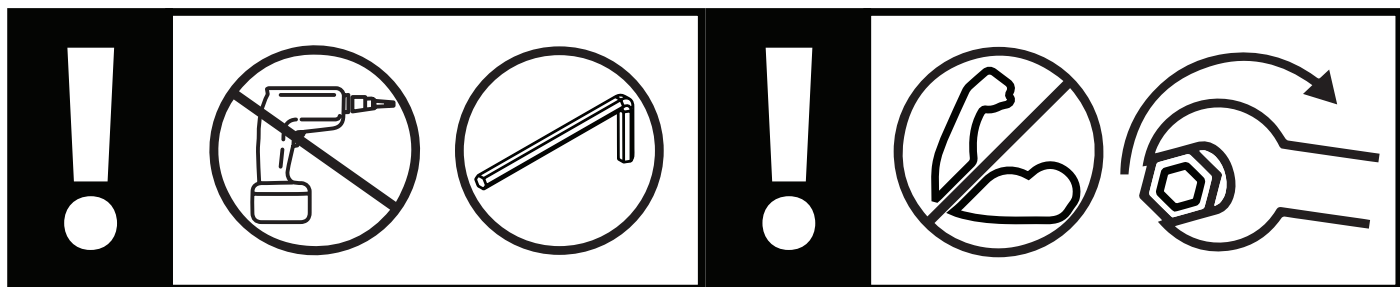
# HELMI

FM463

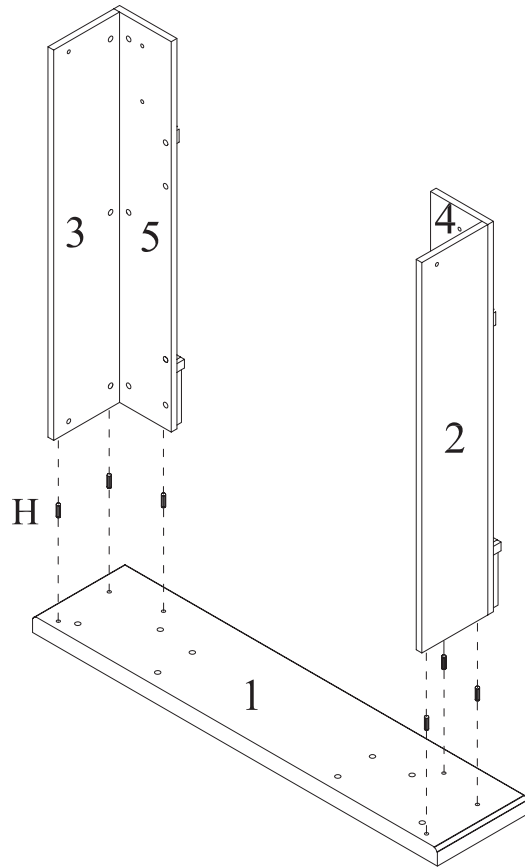




<p><b>A</b></p>  <p>Ø6 x 12mm x20</p>	<p><b>B</b></p>  <p>x 10</p>	<p><b>C</b></p>  <p>Ø6 x 28mm x 19</p>
<p><b>D</b></p>  <p>x 19</p>	<p><b>E</b></p>  <p>x 1</p>	<p><b>H</b></p>  <p>Ø8 x 30mm x 6</p>



1



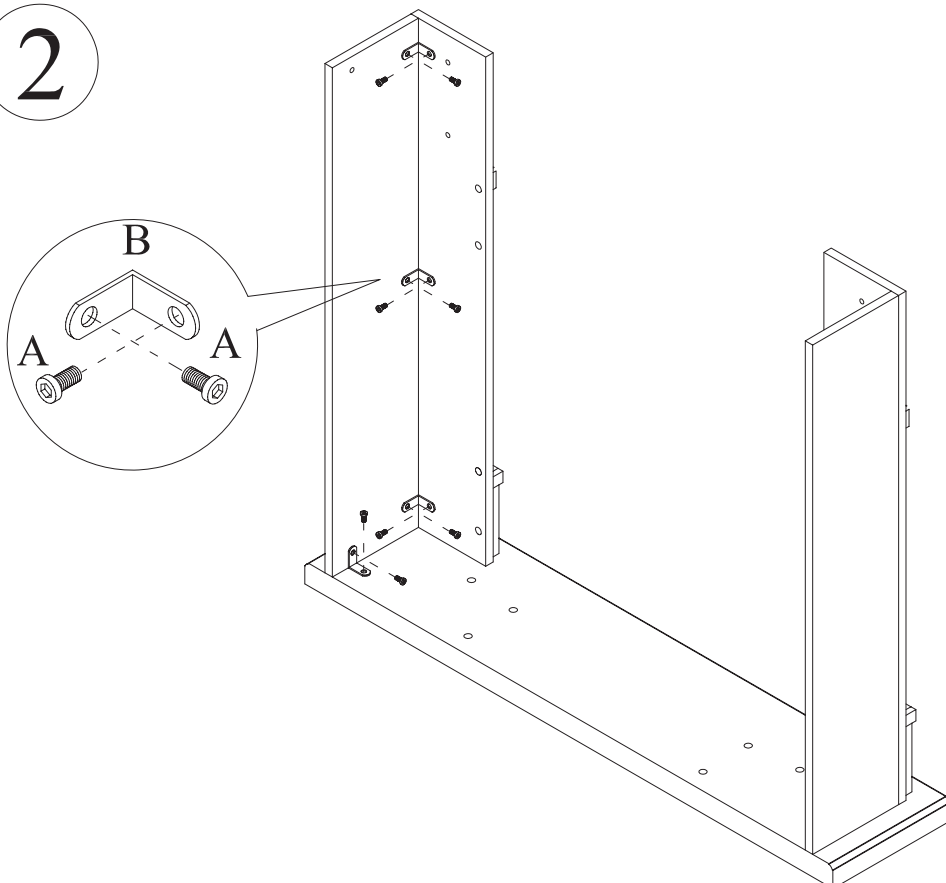
H



Ø8 x 30mm

x 6

2



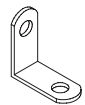
A



Ø6 x 12mm

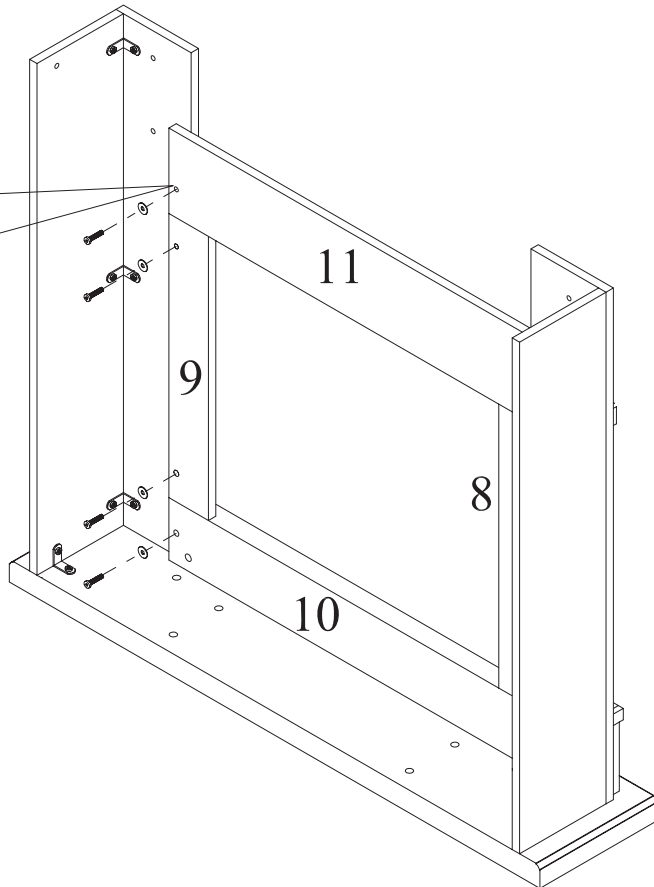
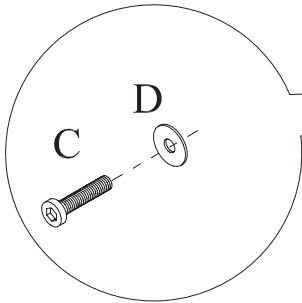
x16

B



x 8

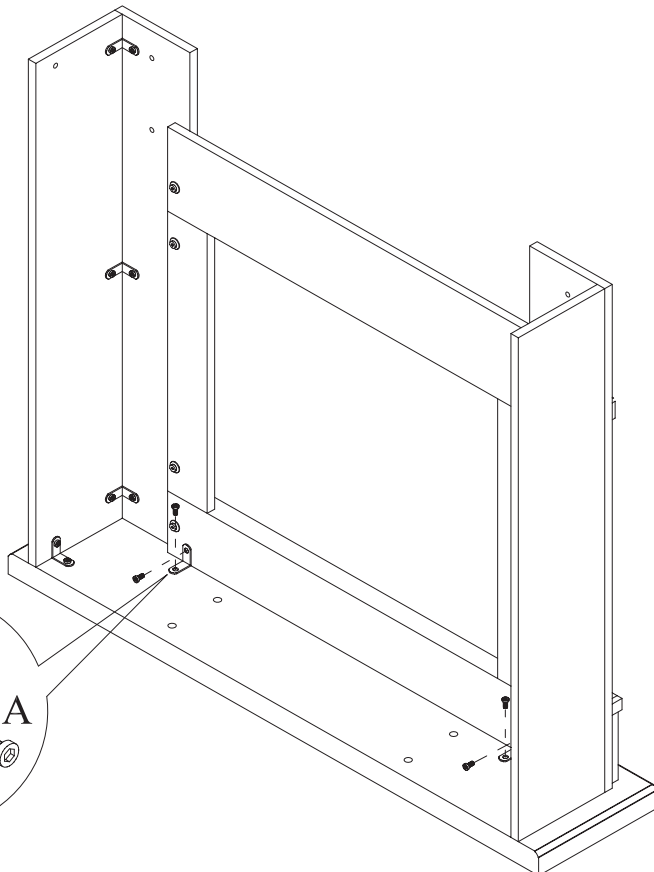
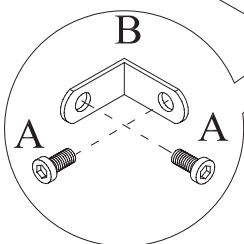
3



C  
Ø6 x 28mm  
x 8

D  
x 8

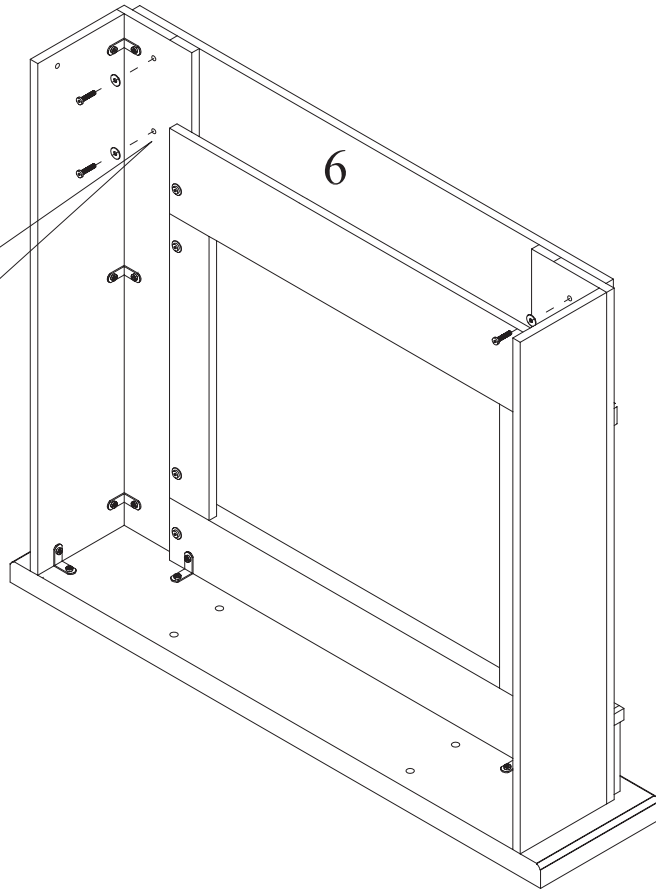
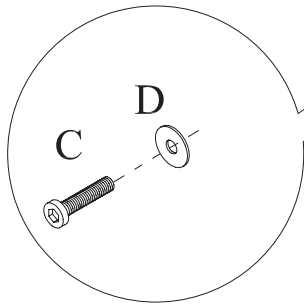
4



A  
Ø6 x 12mm  
x 4

B  
x 2

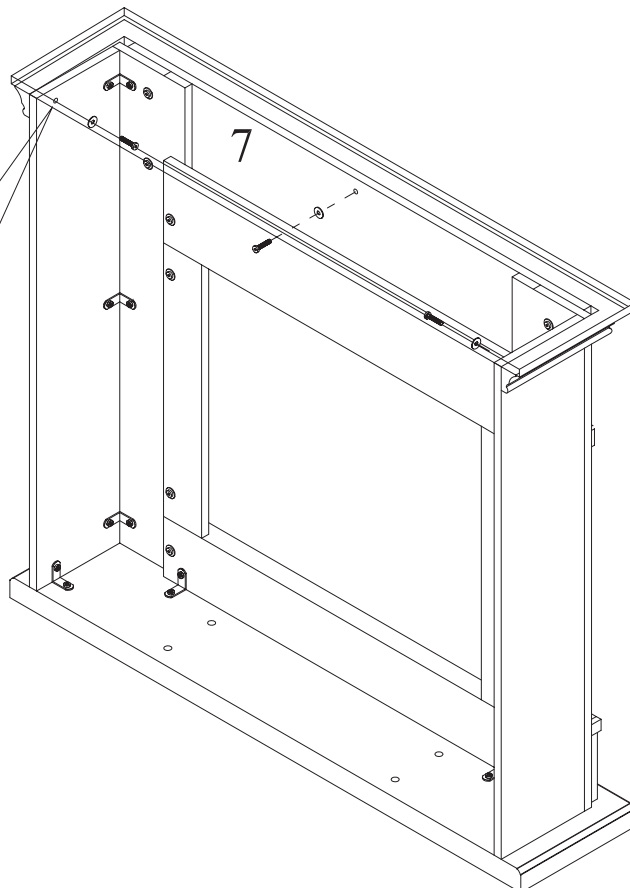
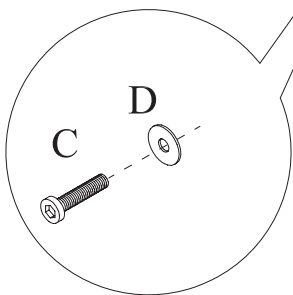
5



C  
Ø6 x 28mm  
x 4

D  
x 4

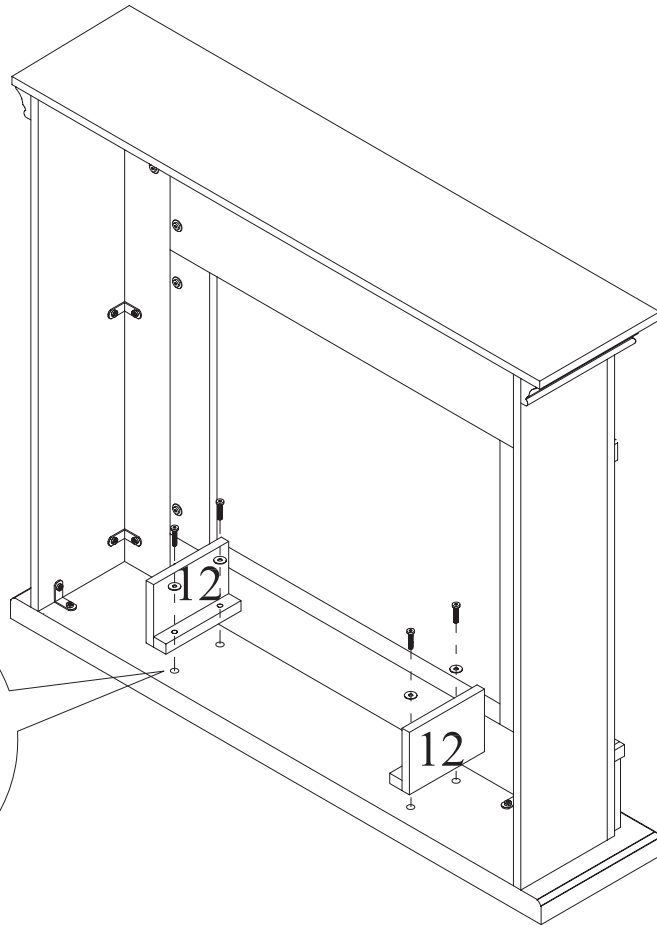
6



C  
Ø6 x 28mm  
x 3

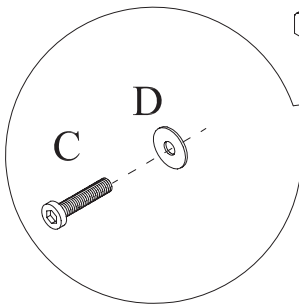
D  
x 3

7

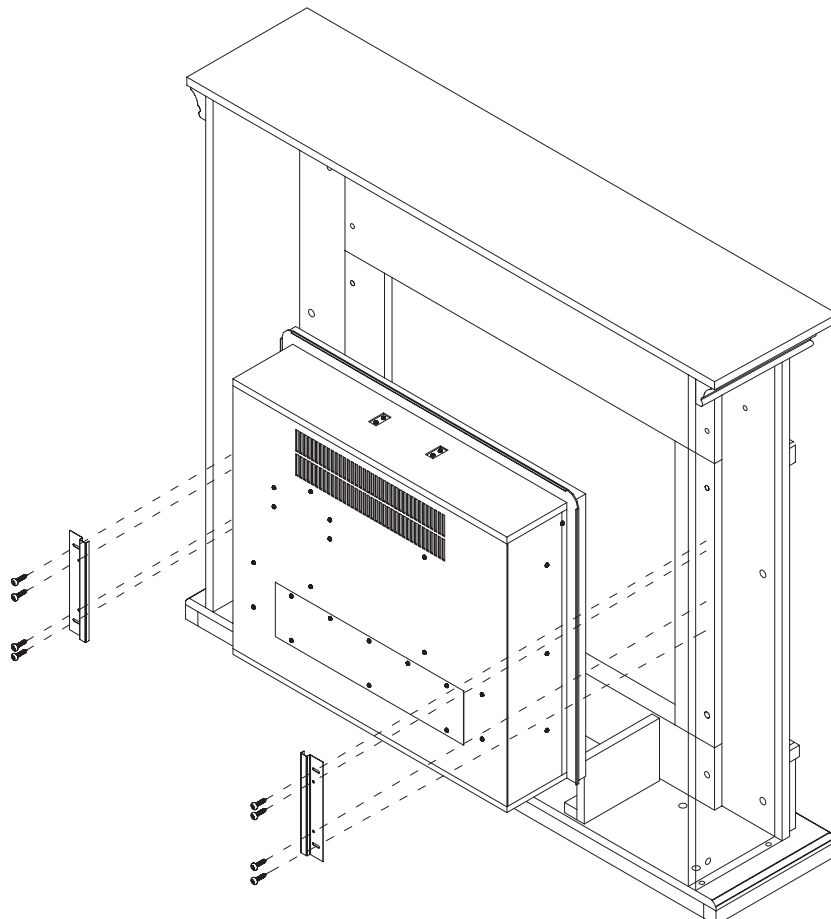


C  
Ø6 x 28mm  
x 4

D  
x 4



8



TAGU  
the missing piece